



## TM-6760 Series Progressive Scan Shutter Cameras

Operation Manual



## Notice

The material contained in this manual consists of information that is proprietary to JAI, Inc., and may only be used by the purchasers of the product. JAI, Inc. makes no warranty for the use of its product and assumes no responsibility for any errors which may appear or for damages resulting from the use of the information contained herein. JAI, Inc. reserves the right to make changes without notice.

Microsoft, Windows XP, Windows 98, Windows 95, Windows NT, and Windows Explorer are either registered trademarks or trademarks of Microsoft Corporation in the United States and/or other countries.

## Warranty

Contact your factory representative for warranty information.

## Certifications

### CE Compliance

The TM-6760 series of cameras has been certified to conform to the requirements of Council Directive 89/336/EC for electromagnetic compatibility and to comply with the following European Standards:

Immunity: EN50082-2/1997

Emissions: CISPR22: 1997/EN55011: 1998 Class B

All JAI Inc. products bearing the CE mark have been declared to be in conformance with the applicable EEC Council Directives. However, certain factory-installed options or customer-requested modifications may compromise electromagnetic compatibility and affect CE compliance. Please note that the use of interconnect cables that are not properly grounded and shielded may affect CE compliance.

Contact JAI Inc. Applications Engineering Department for further information regarding CE compliance.

### FCC

This equipment has been tested and found to comply with the limits for a Class A digital device, pursuant to Part 15 of the FCC Rules. These limits are designed to provide reasonable protection against harmful interference when the equipment is operated in a commercial environment. This equipment generates, uses and can radiate radio frequency energy and, if not installed and used in accordance with the instruction manual, may cause harmful interference to radio communications. Operation of this equipment in a residential area may cause harmful interference, in which case the user will be required to correct the interference at his own expense.



**WARNING**

**Changes or modifications to this unit not expressly approved by the party responsible for FCC compliance could void the user's authority to operate the equipment.**

TM-6760 Series Operation Manual

**JAI, Inc.**

625 River Oaks Parkway

San Jose, CA 95134

Tel:(408) 383-0300

Tel:(800) 445-5444

Fax:(408) 383-0301

E-mail: [imaging@jai.com](mailto:imaging@jai.com)

[www.jai.com](http://www.jai.com)



## Table of Contents

<i>Table of Contents</i> . . . . .	v
<i>List of Figures</i> . . . . .	vii
<i>List of Tables</i> . . . . .	ix
<b>1 Introduction</b> . . . . .	<b>1</b>
1.1 Product Description . . . . .	1
1.2 Features. . . . .	2
1.3 Functional Options . . . . .	3
1.4 System Configuration. . . . .	4
<b>2 Installation</b> . . . . .	<b>5</b>
2.1 Getting Started . . . . .	5
2.1.1 Unpacking Instructions. . . . .	5
2.1.2 Components List. . . . .	5
2.1.3 Accessories and Options. . . . .	5
2.2 Camera Setup . . . . .	6
2.2.1 Heat Dissipation . . . . .	6
2.2.2 Connector Pin Configurations . . . . .	6
2.2.3 Shutter Speed Control Dial (TM-6760 only) . . . . .	9
2.2.4 RS-232 Communication Cable (TM-6760 only) . . . . .	9
2.2.5 Digital Output Cable (TM-6760 LVDS model only) . . . . .	10
2.2.6 Camera Link Cable (TM-6760CL only). . . . .	11
2.2.7 Power Supplies and Power Cable Setup. . . . .	11
2.2.8 Attaching the Analog Video Output . . . . .	12
2.2.9 Attaching the Camera Lens. . . . .	13
<b>3 Operation</b> . . . . .	<b>14</b>
3.1 Camera Rear Panel (TM-6760, LVDS model only). . . . .	14
3.1.1 Up/Down Switch . . . . .	14
3.1.2 Digital Output Connector . . . . .	14
3.1.3 Analog Output Connector. . . . .	14
3.1.4 Power, RS-232, and External Sync Connector . . . . .	14
3.1.5 Shutter Speed Control Switch. . . . .	14
3.1.6 Mode Selection Switch. . . . .	14
3.2 Camera Rear Panel (TM-6760CL). . . . .	16
3.2.1 Digital Output Connector (Camera Link Connector) . . . . .	16
3.2.2 Analog Output Connector. . . . .	16
3.2.3 Power and External Sync Connector . . . . .	16
3.3 Progressive Scanning . . . . .	17
3.4 Electronic Shutter . . . . .	17
3.5 Integration. . . . .	18
3.6 Asynchronous Reset. . . . .	18
3.6.1 External VINIT With Pulse Width (No-Delay Shutter) . . . . .	18
3.6.2 Internal Shutter Speed Control . . . . .	19
3.7 Dynamic Range Control . . . . .	20
3.7.1 Programmable Look-Up Table (LUT) and Knee Control . . . . .	20

- 3.8 Programmable LUT and Knee Control (patent pending). . . . . 21
- 3.9 Scan Modes . . . . . 22
  - 3.9.1 Full Progressive Scan . . . . . 22
  - 3.9.2 Partial Scan . . . . . 22
  - 3.9.3 Two-Row Binning . . . . . 22
- 3.10 External Sync and Pixel Locking . . . . . 22
- 3.11 Bayer Color Filter (TMC-6760 and TMC-6760CL) . . . . . 22
  - 3.11.1 Color Filter Array . . . . . 23
  - 3.11.2 Bayer Color Filter Array (CFA) . . . . . 23
  - 3.11.3 Starting Pixel Configuration . . . . . 24
  - 3.11.4 Sync and Data . . . . . 24
  - 3.11.5 Camera Functions . . . . . 25
  - 3.11.6 Interpolation Software . . . . . 27
  - 3.11.7 Color Interpolation . . . . . 27
- 3.12 Camera Timing Charts . . . . . 28
- 3.13 Serial Communication Kit CS-232C (not required for “CL”  
version). . . . . 32
- 4 Troubleshooting . . . . . 33
  - 4.1 Problems and Solutions . . . . . 33
    - 4.1.1 Symptom: No Video . . . . . 33
    - 4.1.2 Symptom: Dark Video . . . . . 33
    - 4.1.3 Symptom: Non-synchronized Video . . . . . 33
  - 4.2 Information and Support Resources . . . . . 34
- 5 Appendix . . . . . 35
  - 5.1 Specifications . . . . . 35
    - 5.1.1 Physical Dimensions . . . . . 37
    - 5.1.2 Spectral Response . . . . . 38



---

## List of Figures

FIGURE 1.	TM-6760 System Configuration .....	4
FIGURE 2.	TM-6760CL System Configuration .....	4
FIGURE 3.	12-Pin Connector on Rear Panel of Camera .....	6
FIGURE 4.	31-Pin Digital Connector on Rear Panel of Camera (TM-6760 only).....	7
FIGURE 5.	Serial Communication Cable RS-232B-12 .....	9
FIGURE 6.	Pinout Configuration for Digital Output Cable .....	10
FIGURE 7.	12P-02S Interface Cable (optional) .....	12
FIGURE 8.	Pulse Width Async Shutter Timing.....	19
FIGURE 9.	Bayer Color Filter Array .....	23
FIGURE 10.	Starting Pixel Configuration .....	24
FIGURE 11.	Sync and Data .....	25
FIGURE 12.	TM-6760 Series Camera Rear Panel .....	26
FIGURE 13.	Physical Dimensions (TM-6760, TMC-6760).....	37
FIGURE 14.	Physical Dimensions (TM-6760CL, TMC-6760CL).....	37
FIGURE 15.	Spectral Response .....	38





---

## List of Tables

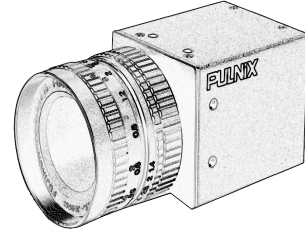
TABLE 1.	12-Pin Connector (TM-6760).....	6
TABLE 2.	12-Pin Connector (TM-6760CL).....	6
TABLE 3.	31-Pin Connector (MP211-031-113-4300).....	7
TABLE 4.	Connector Pinout Configurations (10226-6212 VC).....	8
TABLE 5.	Shutter Speed Control Dial.....	9
TABLE 6.	Mode Selection Switch.....	15
TABLE 7.	Basic Mode Selections (For Non-CL Versions).....	26
TABLE 8.	Framegrabber Interpolation Software List.....	27
TABLE 9.	TM-6760 Series Product Specifications Table.....	35



# TM-6760 Series Progressive Scan Shutter Cameras

## Operation Manual

---



## 1 Introduction

### 1.1 Product Description

The JAI, Inc. TM-6760 series are VGA format, high-speed monochrome progressive scan CCD cameras.\* The progressive interline-type CCD permits full vertical and horizontal resolution of very high speed shutter images and applications. The electronic shutter, which has speeds to 1/32,000 sec., can be reset asynchronously by external pulse control. Three frame rates are available: 30, 60, and 120 fps. On-chip micro lenses provide increased sensitivity.

The TM-6760 has a full dynamic range control function, which can be set at externally selectable look-up-table (LUT) knee slopes to convert 10-bit input to 8-bit output, thereby optimizing the CCD's full dynamic range in the normal output signal range. The camera has an 8-bit, RS-644 digital signal output for interfacing with external image-processing systems. All the key functions are externally controlled via RS-232C. The TM-6760CL model has a Camera Link output and its key functions are externally controlled via differential serial communication of Camera Link.

Applications for the TM-6760 include machine vision, medical imaging, intelligent transportation systems, high-definition graphics, on-line inspection, gauging, character reading, archiving, and high-security surveillance.

---

\*. Unless specifically mentioned, all information in this manual is relevant to all cameras in the TM-6760 series, including the RM-6760, RMC-6760, RM-6760CL, RMC-6760CL, TM-6760, TMC-6760, TM-6760CL, and TMC-6760CL.

## 1.2 Features

- **Miniaturized and lightweight**

The printed circuit boards in the TM-6760 have been arranged with a new design philosophy in mind. This creates modular electronics for the camera, giving it flexibility. In addition, the use of miniature solid-state components results in a compact, lightweight camera that is 44mm x 44mm x 64mm in dimensions, and weighs only 138 grams.

- **Imager**

The TM-6760 uses a progressive scan interline transfer CCD that has the following features:

- Resolution of 648 x 484 active pixels for excellent image quality.
- 9.0 x 9.0  $\mu\text{m}$  square pixels for precise dimensional measurement.
- High-speed electronic shutter capability for high dynamic resolution of moving objects and electronic iris control that eliminates the need for a mechanical shutter.
- Progressive scan CCD eliminates interlace deterioration of image and increases ease of computer interface.
- High sensitivity and low noise at fast scanning. The CCD has a clock rate faster than 25 MHz pixel and has an excellent S/N ratio that is greater than 48dB.
- The CCD for the TM-6760 has built-in microlenses.

- **Electronic shutter**

The TM-6760 has a substrate drain-type shutter mechanism which provides superb pictures at various speeds without smearing. A built-in manual shutter speed control selects the electronic shutter rate of 1/125, (non-async mode only) 1/250, 1/500, 1/1,000, 1/2,000, 1/4,000, 1/8,000, 1/16,000, or 1/32,000 second.

With VINIT high (5V), the CCD keeps discharging. With a negative pulse to VINIT, the camera resets and purges the charge momentarily. Then it starts integrating for the period of shutter control set by either an external pulse width or internal shutter control. Progressive scanning permits a full 484 lines of vertical resolution, as compared to a conventional CCD camera which captures only half the vertical lines per shutter.

- **Asynchronous reset**

The TM-6760's asynchronous reset is flexible and accepts external horizontal drive (HD) for phase locking. When the VINIT pulse is applied, it resets the camera's scanning and purging of the CCD. There are two modes to control the asynchronous reset and shutter speed:

- **External VINIT with pulse width.** The duration between pulse edges controls the shutter speed externally.
- **Internal shutter control mode.** The speed control varies from 1/250 to 1/32,000 sec. The video signal starts with internal V reset timing related to shutter speed.

- **Output**

The TM-6760 has an 8-bit RS-644 (LVDS) digital output for interfacing with external image-processing systems. The TM-6760 camera is also available with RS-422 digital output as an option (OP-93). The TM-6760CL has a Camera Link output. The analog output is 1.0 Vp-p composite video (75 ohms).

- **Asynchronous image capturing**

The TM-6760 captures async reset images and provides single-shot video output with single FDV. This makes it simpler for an ordinary framegrabber to capture the async reset images.

- **Integration**

The TM-6760 is capable of capturing high-resolution integration images. Its CCD imager can be exposed for longer than the normal scan timing of 1/60 sec. This integration feature provides extra sensitivity for applications in dark environments. The progressive scan imager permits a full frame of resolution in non-interlace format. Integration is achieved by controlling the #11 pin of the 12-pin connector to low (GND) or pulse width control VINIT to pin #6 of the 12-pin connector up to 1 second.

### 1.3 Functional Options

- Differential input, VINIT (OP89-3).
- Differential input, VD (OP89-4).
- RS-422 (digital) output for the TM-6760 (93).
- 10-bit output (OP-93)

### 1.4 System Configuration

FIGURE 1. TM-6760 System Configuration

Figure 1 below presents a typical system configuration for the TM-6760 camera.

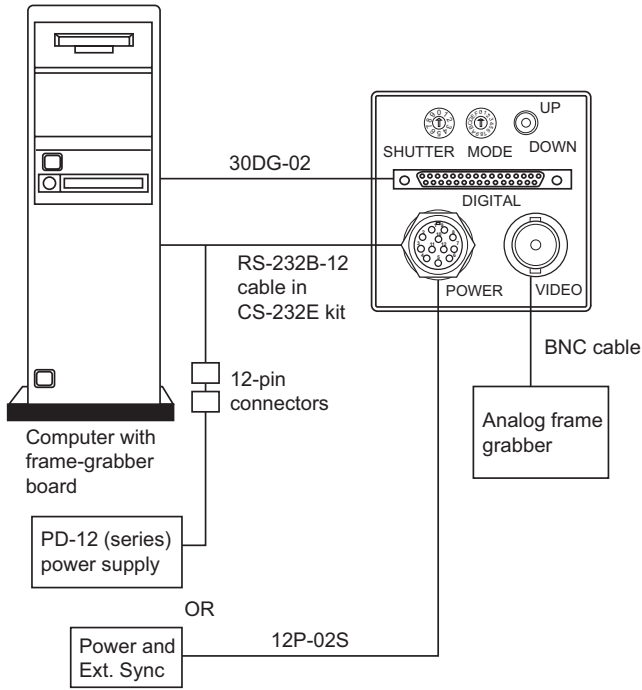
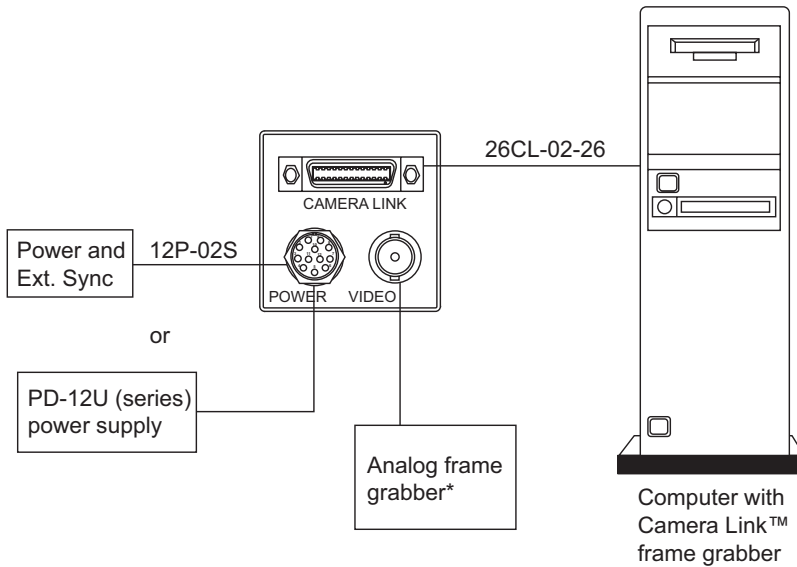


FIGURE 2. TM-6760CL System Configuration

Figure 2 below presents a typical system configuration for the TM-6760CL camera.



## 2 Installation

The following instructions are provided to help you to set up your camera quickly and easily. We suggest that you read through these instructions before you unpack and set up your camera system.

### 2.1 Getting Started

#### 2.1.1 Unpacking Instructions

We recommend that you save the original packing cartons for the cameras and accessories in case you need to return or exchange an item.

We also recommend that you bench-test any equipment being sent to another location for field installation to assure that everything is fully operational as a system.

#### 2.1.2 Components List

Please begin by checking your order against the Components List shown below to assure that you have received everything as ordered, and that nothing has been overlooked in the packing materials. If any item is missing, please contact your JAI, Inc. representative immediately. Data sheets are available for viewing and download online at [www.jai.com](http://www.jai.com).

- TM-6760 camera
- TM-6760 operation manual (if ordered)
- Camera-control software manual (CL version only)
- Camera-control software (CL version only)

#### 2.1.3 Accessories and Options

Following is a list of additional accessories and options that may be required for your application. Please check with your JAI, Inc. representative before you install your camera to determine what you might need.

- Digital output cable (not required for “CL” version)
  - 30DG-02 (for standard model only)
  - 26CL-02-26 (for Camera Link model only)
- Serial Communication Kit CS-232E (not required for “CL” version)

*Note: For CL models, the control software is included and serial communication is through the Camera Link cable. No additional accessories are required.*

- PD-12UUP series power supply
- 12P-02S power cable

## 2.2 Camera Setup

### 2.2.1 Heat Dissipation

The TM-6760 camera is a compact 648K x 484K camera. Since all the electronics have been packed in a compact package, the outer case of the camera gets hot due to heat dissipation. JAI, Inc. recommends the following procedure for optimal performance of the camera:

1. Mount the camera on a large heat sink (camera bracket) made out of conductive material like aluminum.
2. Make sure the flow of heat from the camera case to the bracket is not blocked by a non-conducting material like plastic.
3. Make sure the camera has enough open space around it to facilitate the free flow of air.
4. If possible, use a cooling fan to set up a positive air flow around the camera.

### 2.2.2 Connector Pin Configurations

#### 2.2.2 (a) 12-Pin Connector (TM-6760)

FIGURE 3. 12-Pin Connector on Rear Panel of Camera

The TM-6760 has a 12-pin Hirose connector for power input, serial communication, and signal integration. Pin #1 is Ground and Pin #2 is +12V DC. Other pins handle a number of input and output functions, as shown in Table 1 below.

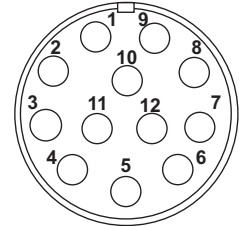


TABLE 1. 12-Pin Connector (TM-6760)

Pin	Description	Pin	Description
1	GND (power)	7	VD In
2	+12V DC	8	Reserved
3	GND (analog)	9	HD In
4	Video Out	10	RXD (RS-232)
5	GND (digital)	11	Integration Control/ ROI
6	VINIT In	12	TXD (RS-232)

#### 2.2.2 (b) 12-Pin Connector (TM-6760CL)

The TM-6760CL has a 12-pin Hirose connector for power input and signal integration. Pin #1 is Ground and pin #2 is +12V DC. The pinout table is shown below. For the TM-6760CL, serial communication camera control is done via the MDR26 Camera Link connector on the rear panel of the camera.

TABLE 2. 12-Pin Connector (TM-6760CL)

Pin	Description	Pin	Description
1	GND (power)	7	VD in
2	+12V DC	8	Reserved



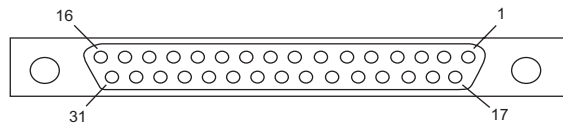
TABLE 2. 12-Pin Connector (TM-6760CL) (Continued)

Pin	Description	Pin	Description
3	GND (analog)	9	HD in
4	Video out	10	Reserved
5	GND (digital)	11	Reserved
6	Reserved	12	Reserved

### 2.2.2 (c) Digital Output Connector (TM-6760 only)

The TM-6760 has a 31-pin AirBorn connector (MP211-031-113-4300) on the rear panel to output 8-bit, RS-644 video data. The connector pin-out is shown in Figure 4 below.

FIGURE 4. 31-Pin Digital Connector on Rear Panel of Camera (TM-6760 only)



**Note:** CLK: data clock, LDV: Line Data Valid, FDV: Frame Data Valid, INTEG: Integration control, EXT CLK: external pixel clock, []: Differential input option.

TABLE 3. 31-Pin Connector (MP211-031-113-4300)

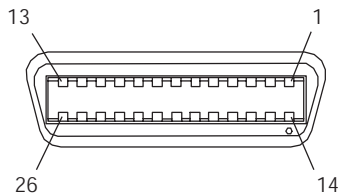
Pin #	Description	I/O	Pin #	Description	I/O
1	CLK+	Out	17	CLK-	Out
2	LDV+	Out	18	LDV-	Out
3	FDV+	Out	19	FDV-	Out
4	GND		20	VINIT (TTL) [Integ (TTL)]	In In
5	EXT HD (TTL) [EXT CLK+]	In	21	EXT VD (TTL) [EXT CLK-]	In
6	INTEG (TTL) [HD+]	In In	22	N/C [HD-]	In
7	N/C [VINIT+/ (VD+)]	In	23	GND [VINIT-/(VD- )]	In
8	D0+	Out	24	D0-	Out
9	D1+	Out	25	D1-	Out
10	D2+	Out	26	D2-	Out
11	D3+	Out	27	D3-	Out
12	D4+	Out	28	D4-	Out
13	D5+	Out	29	D5-	Out

TABLE 3. 31-Pin Connector (MP211-031-113-4300) (Continued)

Pin #	Description	I/O	Pin #	Description	I/O
14	D6+	Out	30	D6-	Out
15	D7+	Out	31	D7-	Out
16	GND				

### 2.2.2 (d) Camera Link Connector

The TM-6760CL has a 26-pin MDR26 connector (3M part number 10226-6212VC) on the rear panel to output Camera Link data. The connector pin-out is shown in Table 4 below.

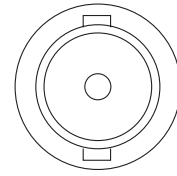
TABLE 4. Connector Pinout Configurations (10226-6212 VC)<sup>a</sup>

Camera Link Connector MDR 26-pin Connector 10226-6212VC					
Pin #	Description	I/O	Pin #	Description	I/O
1	GND		14	GND	(Shield)
2	Tx OUT 0-	Out	15	Tx OUT 0+	Out
3	Tx OUT 1-	Out	16	Tx OUT 1+	Out
4	Tx OUT 2-	Out	17	Tx OUT 2+	Out
5	Tx CLK OUT -	Out	18	Tx CLK OUT+	Out
6	Tx OUT 3-	Out	19	Tx OUT 3+	Out
7	SerTC+	In	20	SerTC-	In
8	SerTFG-	Out	21	SerTFG+	Out
9	VINIT- (CC1-)	In	22	VINIT+ (CC1+)	In
10	INTEG+ (CC2+)	In	23	INTEG- (CC2-)	In
11	N/C		24	N/C	
12	N/C		25	N/C	
13	GND		26	GND	

a. Note: SerTC: Differential Serial Communication to camera; SerToFG: Differential Serial Communication to framegrabber

### 2.2.2 (e) Analog Output Connector

The TM-6760 has a BNC connector on the rear panel to output analog video data.



### 2.2.3 Shutter Speed Control Dial (TM-6760 only)

Shutter speed can be selected by switching the shutter dial to the appropriate setting (0 through 9). The factory default settings correspond to the shutter speeds as shown in below.

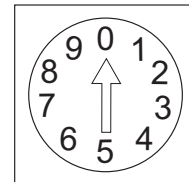
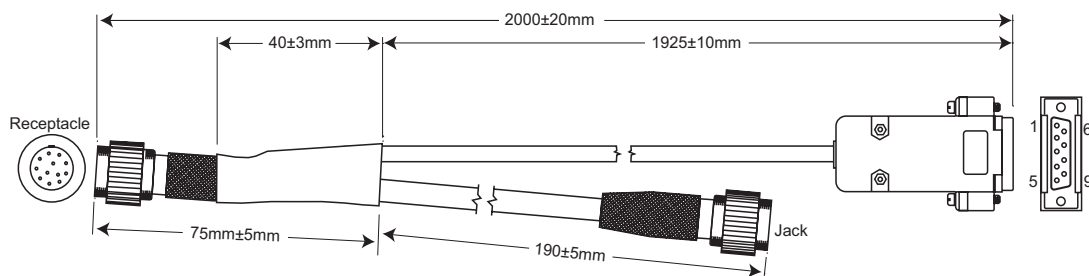


TABLE 5. Shutter Speed Control Dial

	Shutter Exposure Time (Seconds)	
	Normal	Async
0	No shutter (1/60)	no shutter (1/60)
1	1/125	1/32,000
2	1/250	1/16,000
3	1/500	1/8,000
4	1/1,000	1/4,000
5	1/2,000	1/2,000
6	1/4,000	1/1,000
7	1/8,000	1/500
8	1/16,000	1/250
9	1/32,000	Ext. pulse width control

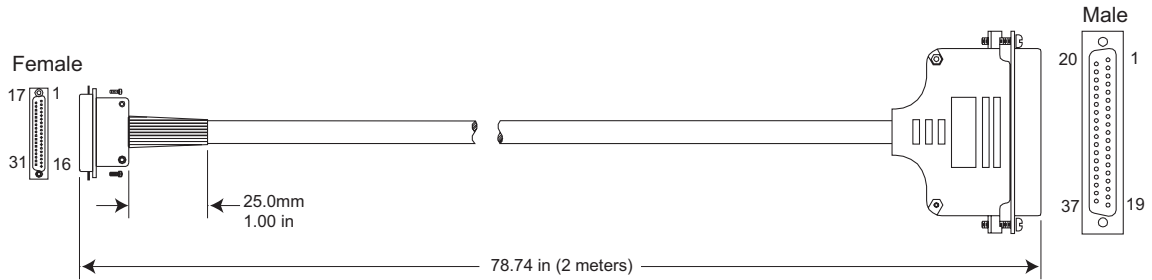
### 2.2.4 RS-232 Communication Cable (TM-6760 only)

FIGURE 5. Serial Communication Cable RS-232B-12



The RS-232 controller set CS-232E includes cable RS-232B-12 interface cable, software disk, and a quick-start card. The TM-6760 camera's built-in look-up table (LUT) can be controlled by an external RS-232 interface. The camera settings can be programmed or changed using the communication cable and software. Commands from the RS-232 interface will override the rear panel switch settings of the camera. Please refer to the camera control software manual for details on the graphical user interface.

2.2.5 Digital Output Cable (TM-6760 LVDS model only)



The TM-6760 camera uses the cable 30DG-02 from JAI, Inc. as a digital output cable. This cable has a 31-pin AirBorn connector on the camera end and a 37-pin D-sub male connector on the other end. Contact your JAI, Inc. representative regarding availability of interface cables for specific frame-grabber models. Pinout configuration for the digital cable is shown below.

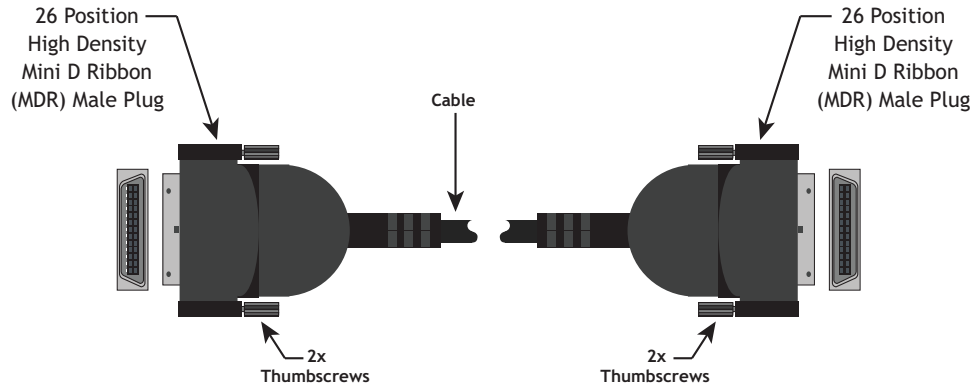
FIGURE 6. Pinout Configuration for Digital Output Cable

FROM 31 PIN CONN	TO 37 PIN CONN	WIRE COLOR	FROM 31 PIN CONN)	TO 37 PIN CONN	WIRE COLOR
PIN 1 CLK+	PIN 1 CLK+	ORG 1RED	PIN 21 VD		PNK 1BLU
PIN 2 LDV+	PIN 2 LDV+	GRY 1RED	PIN 22 **	PIN 18 NC	ORG 2BLU
PIN 3 FDV+	PIN 3 FDV+	WHT 1RED	PIN 23 GND	PIN 23 GND	GRY 2BLU
PIN 4 GND	PIN 16 GND	YLW 1RED			
PIN 5 HD		PNK 1RED	PIN 24 DØ-	PIN 27 DØ-	WHT 2BLU
PIN 6 INTEG	PIN 37 INTEG	ORG 2RED	PIN 25 D1-	PIN 28 D1-	YLW 2BLU
PIN 7 *		GRY 2RED	PIN 26 D2-	PIN 29 D2-	PNK 2BLU
PIN 8 DØ+	PIN 8 DØ+	WHT 2RED	PIN 27 D3-	PIN 30 D3-	ORG 3BLU
PIN 9 D1+	PIN 9 D1+	YLW 2RED	PIN 28 D4-	PIN 31 D4-	GRY 3BLU
PIN 10 D2+	PIN 10 D2+	PNK 2RED	PIN 29 D5-	PIN 32 D5-	WHT 3BLU
PIN 11 D3+	PIN 11 D3+	ORG 3RED	PIN 30 D6-	PIN 33 D6-	YLW 3BLU
PIN 12 D4+	PIN 12 D4+	GRY 3RED	PIN 31 D7-	PIN 34 D7-	PNK 3BLU
PIN 13 D5+	PIN 13 D5+	WHT 3RED			
PIN 14 D6+	PIN 14 D6+	YEL 3RED			
PIN 15 D7+	PIN 15 D7+	PNK 3RED			
PIN 16 NC	NC			PIN 35 GND	SHIELD
PIN 17 CLK-	PIN 20 CLK-	ORG 1BLU			
PIN 18 CDV-	PIN 21 LDV-	GRY 1BLU		N/C	
PIN 19 FDV-	PIN 22 FDV-	WHT 1BLU		PINS 4, 5, 6, 7	
PIN 20 VINIT	PIN 17 VINIT	YEL 1BLU		19, 24, 25, 26, AND 36	

\* LPULSE: TM-9701, TM-1001  
 NC: AccuPIXEL  
 \*\* ENINT: TM-9701, TM-1001  
 NC: AccuPIXEL

### 2.2.6 Camera Link Cable (TM-6760CL only)

The MDR26 cable assembly (26CL-02-26) has been standardized as the Camera Link cable. This cable has the 26-pin MDR26 connector on both ends. This is a straight-through cable. The pin-out configuration is shown in Table 4 on page 8.



**Note:** For TM-6760CL, serial communication for camera control is done via the Camera Link connector on the rear panel of the camera.

Cable assemblies and boardmount receptacles can be ordered from 3M.

### 2.2.7 Power Supplies and Power Cable Setup

#### 2.2.7 (a) Power Supplies

The TM-6760 requires 12V DC power that is obtained through the 12-pin connector located on the rear panel of the camera. JAI, Inc. recommends the following power supplies:

PD-12UU	100-240V AC/12V DC (No 12-pin connector)	1.2A universal voltage power supply with US Plug
PD-12UUP	100-240V AC	1.2A universal voltage power supply with US plug and 12-pin connector
PD-12UE	100-240V AC/12V DC (No 12-pin connector)	1.2A universal power supply with European plug
PD-12UEP	100-240V AC/12V DC	1.2A universal power supply with European plug and 12-pin connector

If you are providing power through the 12-pin connector, the PD-12UUP and PD-12UEP power supplies are available with the 12-pin mating connector already attached to the leads from the power supply. The PD-12UU or PD-12UE power supply can be connected to the JAI, Inc. power cable either directly or via a terminal strip.

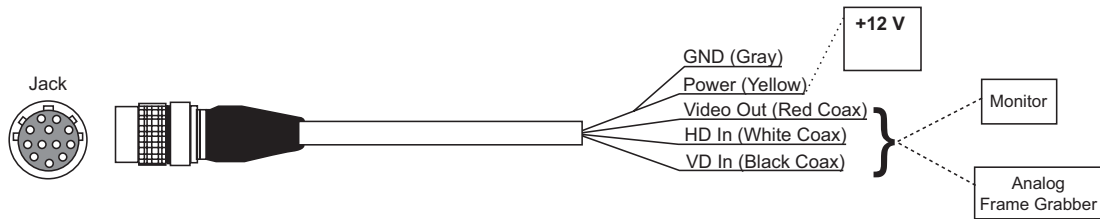
When wiring the PD-12UU power supply directly, please note the following:

- The lead ends must be twisted together and tin-soldered for strength and electrical continuity.
- Shrink tubing or a similar insulator should be used to prevent exposed leads from touching and shorting.
- The +12V lead is marked with a red stripe or white lettering; be sure not to reverse the leads.
- All connections must be properly insulated to prevent shorting.

**2.2.7 (b) JAI, Inc. Power Cables**

If you are using JAI, Inc. power cables such as the 12P-02S, please refer to the 12-pin connector pin-out diagram in “12-Pin Connector (TM-6760)” on page 6. The cable pin-out diagram is shown in Figure 7 below. The color-coded leads use Gray for Ground and Yellow for +12V.

**FIGURE 7. 12P-02S Interface Cable (optional)**



12P-02S Interface Cable					
Pin#	Lead Color	Function	Pin#	Lead Color	Function
1	Gray	GND	7	Black coax	VD Input
2	Yellow	+12V DC	8	White coax shield	Reserved
3	Red coax shield	GND	9	White coax	HD Input
4	Red coax	Video	10	Brown	RXD
5	Orange coax shield	GND	11	Blue	Integration
6	Orange coax	VINIT IN	12	Black coax shield	TXD

**Note:** Make sure that the unused leads are not touching and that there is no possibility that exposed wires could cause the leads to short.

**2.2.8 Attaching the Analog Video Output**

When connecting the TM-6760 to an analog framegrabber or a monitor, use the BNC connector on the rear panel of the camera. The input of the monitor should be balanced for 75 ohm termination. Standard RG-59 type coaxial cable should carry a full video signal for up to 100 feet.

The multi-conductor cable 12P-02S from JAI, Inc. can be used to transmit analog video, power, sync. signals, and serial communication. The mini coaxial leads in JAI, Inc. multi-conductor cables are designed for short runs of no longer than 100 feet.

**Note:** Make sure that no extraneous wires are visible which could cause a short.

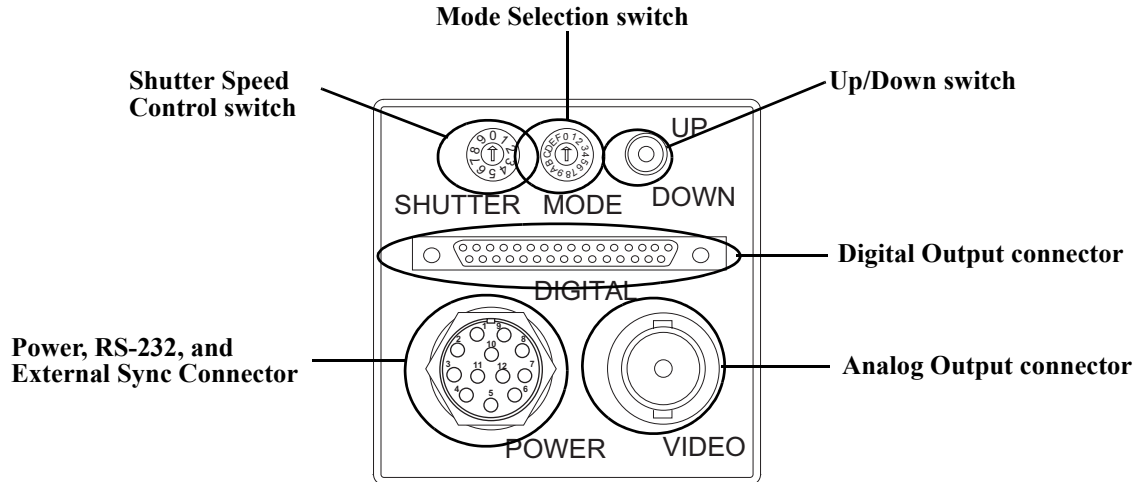


### 2.2.9 Attaching the Camera Lens

The TM-6760 camera accepts 1/2" or larger format size C-mount lenses. To attach the C-mount lens to the camera, carefully engage the threads and rotate the lens clockwise until it firmly seats on the mounting ring. Do not force the lens if it does not seat properly. Please note that some lenses with extremely long flangebacks may exceed the mounting depth of the camera.

## 3 Operation

### 3.1 Camera Rear Panel (TM-6760, LVDS model only)



#### 3.1.1 Up/Down Switch

The Mode Selection switch works in conjunction with the Up/Down switch. Refer to Table 6 on page 15 for information on the Up/Down switch.

#### 3.1.2 Digital Output Connector

Refer to Section 2.2.2 (c) on page 7 for information on the digital output connector.

#### 3.1.3 Analog Output Connector

The TM-6760 camera has a BNC connector on the rear panel to output analog video data.

#### 3.1.4 Power, RS-232, and External Sync Connector

Refer to Section 2.2.2 on page 6 for information on the power, RS-232, and external sync connector.

#### 3.1.5 Shutter Speed Control Switch

Please refer to Section 2.2.3 on page 9 for information on the Shutter Speed Control switch. The factory default setting to the shutter speeds is no shutter.

#### 3.1.6 Mode Selection Switch

Various modes can be implemented with the rear panel Mode Selection switch. The Mode Selection switch works in conjunction with the Up/Down switch and RS-232 external control. Commands from

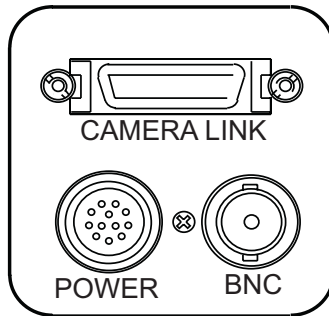


the RS-232 interface will override the rear panel switch settings of the camera. The table below shows details on various modes.

**TABLE 6. Mode Selection Switch**

<b>Mode Selection Switch Position</b>	<b>Mode Information</b>	<b>Up/Down Switch</b>	<b>Functions</b>
0	Switch disabled	Switch disabled	None
1	Set Gain	Up / Down	Change gain
2	Set Vtop (A/D)	Up / Down	Change A/D ref. top
3	Set Vbottom(A/D)	Up / Down	Change A/D ref. bottom
4	Gain Selection #1	Up: 9dB, Down: 12dB	Lower gain selection
5	Gain Selection #2	Up: 18dB, Down: 22dB	Higher gain selection
6	Linear LUT	Up	Back to linear table
7	Knee Selection	Up / Down (Scroll)	Scroll 8 different LUTs
8	Async Reset Mode	Up: Normal, Down: Async	Async and normal shutter
9	Factory default Recall	Up / Down: Recall	Factory setting
A	Power up Setting	Up: Recall, Down: Save	Power up page setting
B	User Page Storage #1	Up: Recall, Down: Save	User page storage setting
C	User Page Storage #2	Up: Recall, Down: Save	User page storage setting
D	Direct Shutter Control	Up: Increment Down: Decrement	Change "Direct shutter speed in 1H increments
E	Scan Format2	Up: PS200 Lines Down: Two-row binning	Scan mode
F	Scan Format1	Up: 60fps, Down: 30fps	Scan mode

### 3.2 Camera Rear Panel (TM-6760CL)



#### 3.2.1 Digital Output Connector (Camera Link Connector)

Refer to Section 2.2.2 (d) on page 8 for Camera Link information.

#### 3.2.2 Analog Output Connector

The TM-6760CL camera has a BNC connector on the rear panel to output analog video data.

#### 3.2.3 Power and External Sync Connector

Refer to Table 2 on page 6 for information on the power and external sync. connectors.

### 3.3 Progressive Scanning

Standard TV-system scanning is 525 lines interlace scanning as specified in the RS-170 protocol. Every other horizontal line (odd lines and even lines) is scanned at a 60Hz rate per field, and the scanning is completed with two fields (one frame) at 30Hz rate. Because of the interlace scanning, the vertical resolution of CCD cameras is limited at 350 TV lines, regardless of the horizontal resolution. When electronic shutter is applied, the CCD can hold only one field of charge at each exposure. Therefore, the vertical resolution of the electronic-shutter camera is only 244 TV lines. The situation is the same for an HDTV-format camera, since it has interlaced scanning and the vertical resolution of the shuttered image is 500 lines.

The TM-6760 uses a state-of-the-art progressive scanning interline transfer CCD which scans all lines sequentially from top to bottom at one frame rate (60Hz). Like a non-interlace computer screen, it generates a stable, crisp image without alternating lines and provides full vertical TV resolution of 484 lines (a normal TV monitor display may not be able to show images due to monitor scanning).

The interline transfer architecture is also important to generate simultaneous shuttering. This is different from full frame transfer architecture which requires a mechanical shutter or strobe light in order to freeze the object motion.

The TM-6760 outputs the progressive scan image with an electronic shutter in two different formats:

- Progressive scanning digital and analog output

The CCD signal goes through A/D and D/A converters and through 10-bit in, 8-bit out look-up table (LUT). The digital output is available from 31-pin connector with RS-644 format (25MHz clock rate).

- Partial scan output

Partial scan: centered 200 lines at 120 frames per second.

The analog output is the same as 75 ohms, 1Vp-p format at 60/30Hz rate available from BNC and 12-pin connector.

- Two-row binning

Two-row binning combines two horizontal rows into one. This reduces the vertical resolution by half (242 lines) and doubles the frame rate to 120 Hz. See "Scan Modes" on page 22 for more information.

### 3.4 Electronic Shutter

The TM-6760 has a substrate drain-type shutter mechanism which provides a superb picture at various speeds without smearing. A built-in manual shutter speed control selects the electronic shutter rate of 1/125 (non-async mode only), 1/250, 1/500, 1/1,000, 1/2,000, 1/4,000, 1/8,000, 1/16,000, or 1/32,000 second.

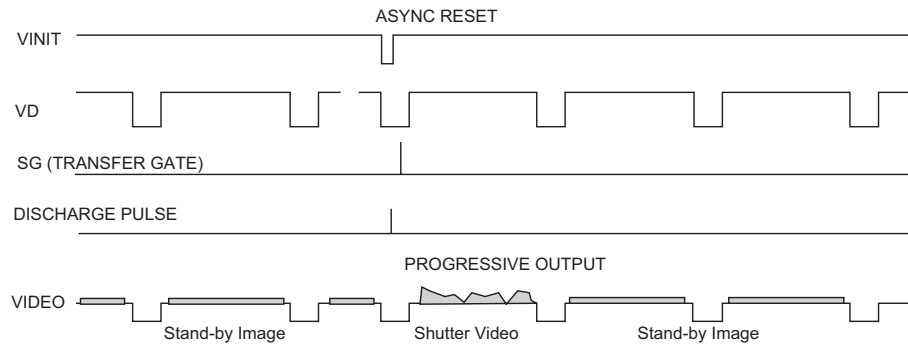
With VINIT high (5V), the CCD keeps discharging. With a negative pulse to VINIT, the camera resets and purges the charge momentarily. Then it starts integrating for the period of shutter control set by either an external pulse width or internal shutter control. Progressive scanning permits a full 484 lines of vertical resolution, as compared to a conventional CCD camera which captures only half the vertical lines per shutter.

### 3.5 Integration

The CCD imager of the TM-6760 can be exposed for longer than the normal scan timing of 1/60 sec. This integration feature provides extra sensitivity for dark-environment applications. The progressive-scan imager permits a full frame of resolution in non-interlace format. Integration is achieved by applying INTEG signal to pin #11 of the 12-pin connector or pin #6 of the 31-pin connector, or by feeding VINIT pulse width control up to 1 sec at the pulse width. Please refer to Figure 2.2.2 on page 6 for pin-out information on the 12-pin connector.

The CCD imager of the TM-6760 can be exposed for longer than the normal scan timing of 1/60 sec. This integration feature provides extra sensitivity for dark-environment applications. The progressive scan imager permits a full frame of resolution in non-interlace format. Integration is achieved by applying INTEG signal to pin #11 of the 12-pin connector or pin #6 of the 31-pin connector, or by feeding VINIT pulse width control up to 1 sec at the pulse width.

### 3.6 Asynchronous Reset



The TM-6760's asynchronous reset is flexible and accepts external horizontal drive (HD) for phase locking. When the VINIT pulse is applied, it resets the camera's scanning and purging of the CCD. For asynchronous image capturing by framegrabbers, it outputs single FDV at async reset. There are two modes to control the asynchronous reset and shutter speed:

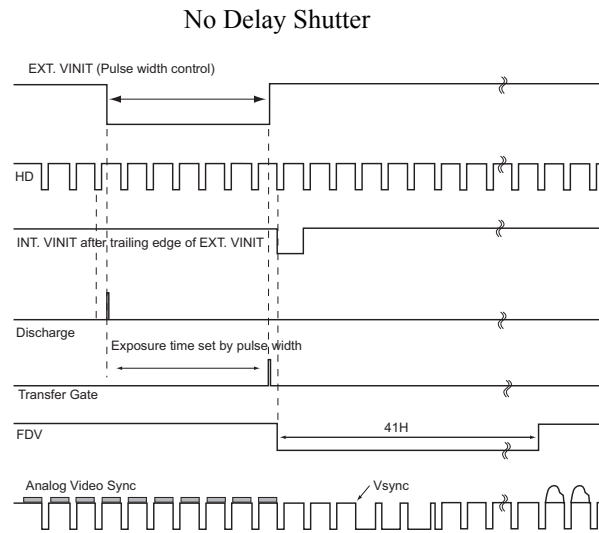
- External VINIT with Pulse Width (no delay shutter)
- Internal Shutter Speed Mode

#### 3.6.1 External VINIT With Pulse Width (No-Delay Shutter)

The TM-6760 can be reset with external reset pulse (VINIT). Set the dial switch to "9". Apply a pulse-width control VINIT signal generated from an external event trigger to the camera. The TM-6760's asynchronous pulse width control mode provides no-delay shutter as standard. Regardless of internal pulse timing, it discharges at VINIT's leading edge and transfers charges at the trailing edge of the pulse. Even though each camera runs with slightly different H and data clock timing, image capturing is perfectly simultaneous.

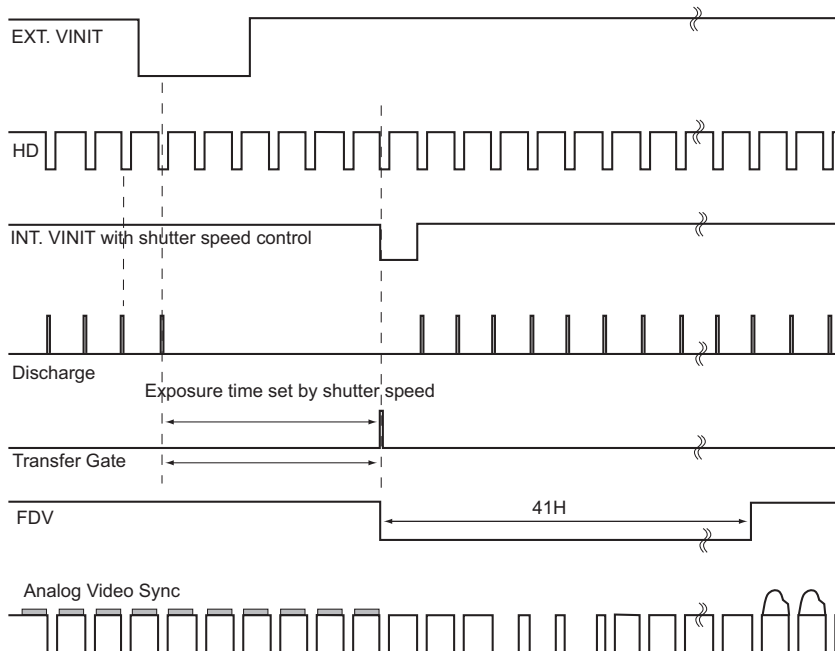
For the progressive format, one frame of video output will start from the rising edge of the pulse width control. In async mode with external pulse input high, the video output will be disabled as the camera continues discharging the CCD image, providing black video only.

**FIGURE 8. Pulse Width Async Shutter Timing**

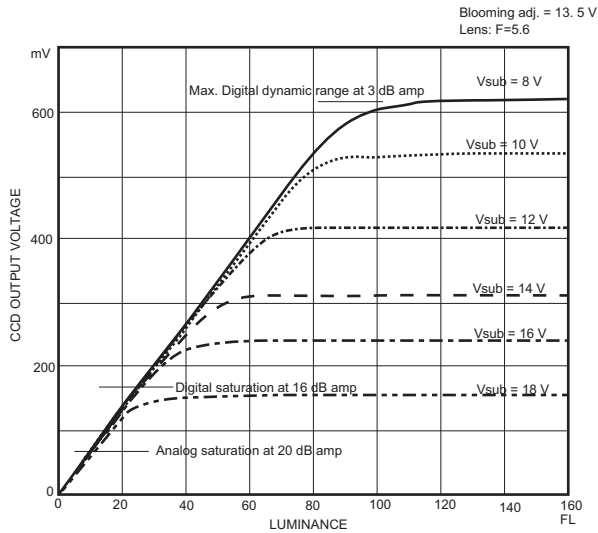


### 3.6.2 Internal Shutter Speed Control

The video signal starts with internal VINIT. The camera operates the reset and shutter in the same way as the external pulse width control mode. When the external VINIT pulse is applied, internal VINIT is latched to HD and the internal VINIT is delayed to set up the shutter speed period. The shutter speed is controlled by the dial switch from “1” to “8.” Video output timing starts right after the internal VINIT and single shots, FDV is output at the internal VINIT timing.



### 3.7 Dynamic Range Control



The typical interline transfer CCD has fixed noise levels based on dark current (thermal or KT noise), pattern noise, and the operating clock speed. In general, the level of the 25 MHz pixel clock CCD at room temperature is around 20 to 50 electrons. The maximum capacity of CCD charges is limited by the well capacity at saturation. The range is limited by the structure and the pixel size.

The TM-6760 uses a 1/2" CCD with 9.0  $\mu\text{m}$  x 9.0  $\mu\text{m}$  pixel and two-phase vertical shift register structure. The well capacity is 32,000 electrons. The theoretical dynamic range is 32,000:60 = 533:1 (54.5 dB).

A typical CCD camera does not use the full dynamic range due to the nominal gain and the output specification such as RS-170. The typical CCD camera's gain is set at 16 to 22 dB and the RS-170 video level is 714 mV. Using 20 dB gain for the calculation, CCD output is limited to 714/10 = 71.4 mV. Since the CCD's saturation voltage is 400 mV to 500 mV, it uses less than 1/5 of the full dynamic range.

Machine vision and outdoor applications, cannot afford to miss image information behind the saturation, which is why the dynamic range adaptation is critical.

#### 3.7.1 Programmable Look-Up Table (LUT) and Knee Control

The TM-6760 has a built-in LUT (look-up table) for dynamic range control.

At a specific gain setting, the offset (minimum level... dark point) and A/D reference top voltage (maximum level... saturation point) are set to 10-bit A/D input so that the full dynamic range of the CCD is utilized at 10-bit references as the input and the LUT output is converted into 8-bit to adjust the gamma correction.

The 10-bit input is segmented into two or more regions by the knee-point settings as variable gamma selection.

LUT selections: (a standard LUT is 20 sets of knee-control LUT)

- Variable positive Gamma and negative Gamma

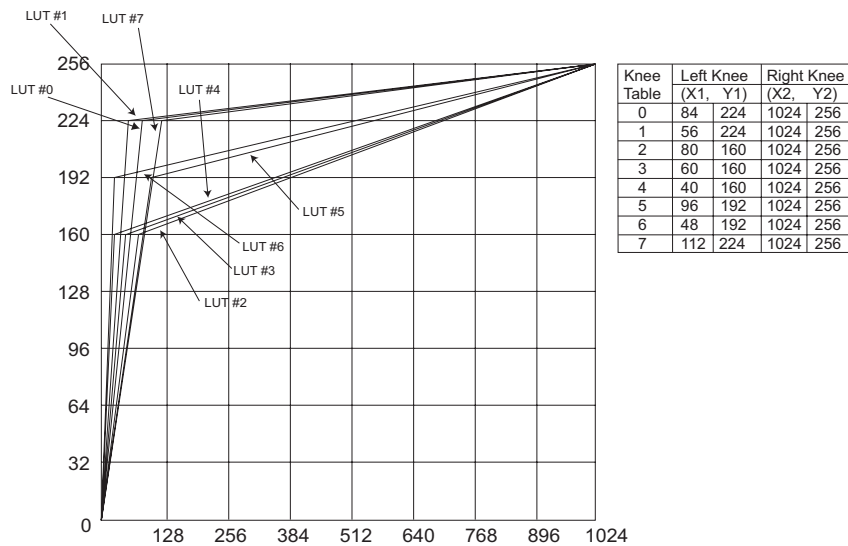


- Variable positive knee curve and negative knee curve
- Direct input LUT and negative LUT

### 3.8 Programmable LUT and Knee Control (patent pending)

The TM-6760 has a built-in LUT (look-up table) for dynamic range control. At a specific gain setting, the offset (minimum level... dark point) and A/D reference top voltage (maximum level... saturation point) are set to 10-bit A/D input so that the full dynamic range of the CCD is utilized at 10-bit references as the input and the LUT output are converted into 8-bit data to adjust the gamma correction.

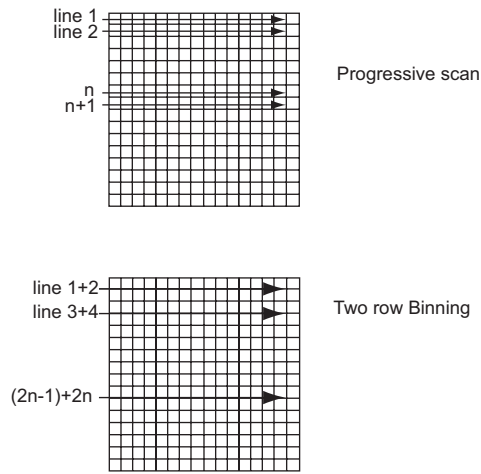
The look-up table has two knee points (variable gamma selection) that allow the 10 bits to be segmented into three regions. The look-up table selection can be made either by variable knee curve or by direct input of the knee coordinates.



Note: The second knee point on the built-in LUT defaults to position (1024, 256).  
To reposition this point, click on it and drag it to a new location.

### 3.9 Scan Modes

The TM-6760 supports the following scan modes:



#### 3.9.1 Full Progressive Scan

The normal scan mode progressively scans a full frame of 648 x 484 pixels at 30/60 frames per second using the standard 12.5MHz/25MHz pixel clock and a single channel output. In contrast to interlace-scan cameras, all 484 lines in the frame are exposed simultaneously per image capture.

#### 3.9.2 Partial Scan

Partial scan is a standard feature in the TM-6760. 200 lines partial scan is selectable. It outputs an image center of 200 lines. The frame rate is 120 frames/sec.

#### 3.9.3 Two-Row Binning

Two-row binning is a standard feature in the TM-6760. It is selectable and its frame rate is 120 frames per second.

### 3.10 External Sync and Pixel Locking

The TM-6760 accepts an external sync of standard HD and VD at TTL level for general locking to a system sync and clock. The external sync is only available for 60-frame mode and the frequency requirement is as follows:

$$f_{HD} = 31.486 \text{ KHz} \pm 5\%$$

$$f_{VD} = 60.00 \text{ Hz} \pm 5\%$$

(Internal Master clock = 50.00 MHz,

Pixel clock = 25.00 MHz)

### 3.11 Bayer Color Filter (TMC-6760 and TMC-6760CL)

JAI, Inc. AccuPIXEL series color cameras are high-resolution, high-speed progressive scan CCD cameras. The interline transfer, progressive scan CCD permits full vertical and horizontal resolution of



images acquired at very high shutter speeds. The electronic shutter, which has speeds to 1/16,000 sec., can be reset asynchronously by external pulse control. Uniform square pixels provide superior image definition in any orientation. On-chip micro lenses mean increased sensitivity.

### 3.11.1 Color Filter Array

JAI, Inc. AccuPiXEL cameras use Bayer CFA (color filter array) as their standard primary color filter. This filter provides the most popular color interpolation supported by numerous software suppliers.

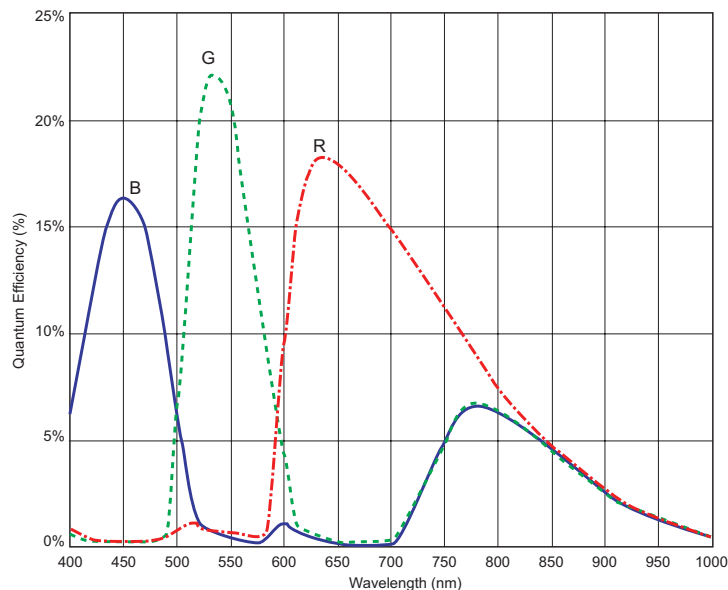
The digital format, either Camera Link or RS-644, allows the camera to output accurate pixel data, including the color information. When the data is stored in the frame buffer of a framegrabber or computer, the color information is easily manipulated to restore the original color images. Because the color filter array contains only a single R, G or B color in each pixel, the restored image has to fill in colors in the missing pixel locations. The software uses neighboring pixel information to “guess” the missing colors to make smooth, clear images. This is called “Color Interpolation.” Today’s high-speed computers allow such color interpolation to be done almost in real time. Because these cameras do not contain internal color-processing circuitry, they are smaller and less expensive than full-function color cameras.

### 3.11.2 Bayer Color Filter Array (CFA)

The Bayer CFA is an R, G, B primary color filter array. This is the most widely accepted CFA for the single-chip CCD progressive scan format. This type of array layout has a specific order for each color’s pixels. Since the human eye’s resolution and color recognition are highest at green, the CFA contains two greens per each red and blue.

It is critical for the framegrabber and color interpolation to know where the individual color pixels exist relative to sync (LDV and FDV) timing.

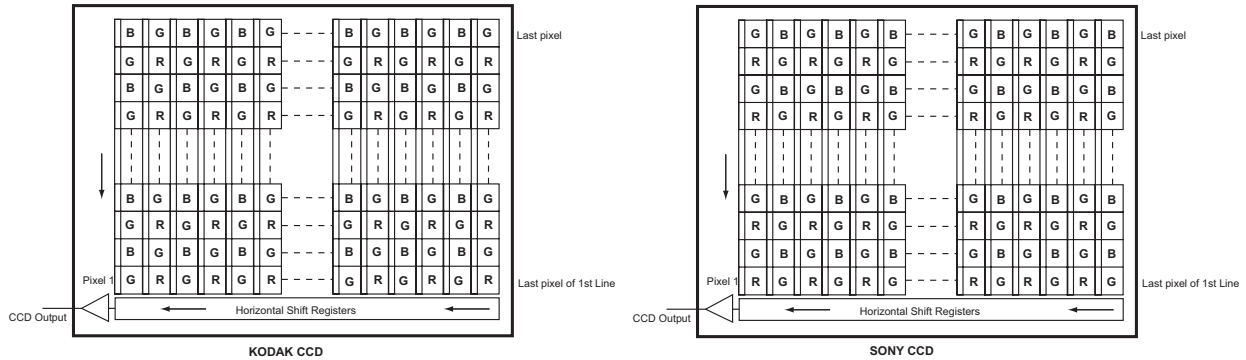
**FIGURE 9. Bayer Color Filter Array**



### 3.11.3 Starting Pixel Configuration

All manufacturers produce identical Bayer CFAs, but there are slight differences between the CCDs produced by different manufacturers. The first line is generally R and G, except for the Kodak CCD, which starts with G. The Sony CCD starts with R. The camera timing can be adjusted to start with either G or R by skipping the very first pixels at each line. Most color interpolation software can select between a variety of pixel relations, such as R/G start or G/R start, as well as G/B start and B/G start. Once the correct scanning is configured, the rest of the interpolation will be exactly the same. Please contact JAI, Inc. for further information regarding CCD manufacturers.

FIGURE 10. Starting Pixel Configuration

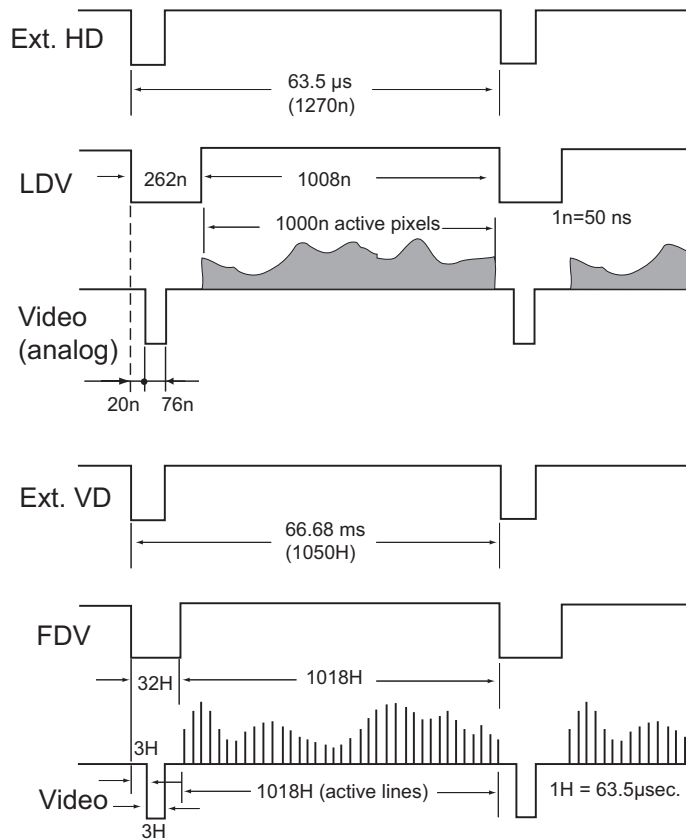


### 3.11.4 Sync and Data

The individual color data is exactly the same as the pixel data. This means that the timing relationships of the color cameras are also the same as those of the B/W cameras. For a detailed timing chart, please refer to each B/W camera's data sheet and manual. If the framegrabber has a standard B/W configuration file, then AccuPiXEL color cameras can use that configuration file to operate. The configuration file may vary, depending on whether the output is standard (RS-644) or Camera Link. Please consult JAI, Inc., or your framegrabber supplier for compatibility information.

The following diagram is an example of the TMC-6760 (same as TM-6760).

FIGURE 11. Sync and Data



It is important to meet the exact starting pixel at LDV and the starting line of FDV. If the starting pixel or line is shifted due to the image capture configuration, then the interpolation software can be adjusted for the correct starting point. In Figure 10 on page 24, left diagram, if the first pixel is shifted (missed), the color interpolation should start with R-G. If the first line is missed, the interpolation order will be B-G.

### 3.11.5 Camera Functions

AccuPiXEL color cameras perform all functions the same way as B/W cameras. However, because of color characteristics, the following issues are different:

- Two-row binning scan  
When two rows are mixed in the CCD, the Bayer color is no longer valid. It provides color information but cannot be interpolated as a Bayer CFA.
- LUT (Look-up Table)  
LUT is a powerful tool to adjust the dynamic range as well as color dynamic range. Since human color perception is non-linear, LUT selection can help optimize color contrast by selecting the LUT value. Gamma 0.45 is logarithmic and is closed to human perception.  
When LUT is selected, black-level adjustment must be more accurate than for B/W cameras.

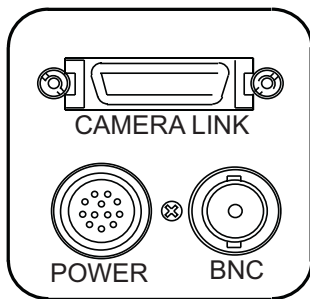
For a detailed timing chart, please see Section 3.12, “Camera Timing Charts,” on page 28, or contact JAI, Inc.

TABLE 7. Basic Mode Selections (For Non-CL Versions)<sup>a</sup>

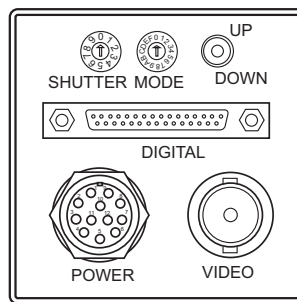
	Mode Switch	Up/Down Switch	Functions
0	Switch Disabled	Switch Disabled None	None
1	Set Gain	Up / Down	Change gain
2	Set Vtop (A/D)	Up / Down	Change A/D ref. top
3	Set Vbottom (A/D)	Up / Down	Change A/D ref bottom
4	Gain Selection #1	Up: 9dB, Down: 12dB	Lower gain selection
5	Gain Selection #2	Up: 18dB, Down: 22dB	Higher gain selection
6	Linear LUT	Up	Back to linear table
7	Knee Selection	Up / Down (Scroll)	Scroll 8 different LUTs
8	Async Reset Mode	Up: Normal, Down: Async	Async and normal shutter
9	Factory Default Recall	Up / Down: Recall	Factory setting
A	Power up Setting	Up: Recall, Down: Save	Power up page setting
B	User Page Storage#1	Up: Recall, Down: Save	User page storage setting
C	User Page Storage#2	Up: Recall, Down: Save	User page storage setting
D	Direct Shutter Control	Up / Down	Shutter speed increment by 1H
E	Scan Format2	Up: PS 200 lines, Down: Binning	Scan mode
F	Scan Format1	Up: 60 fps, Down: 30 fps	Scan mode

a. These mode descriptions may change from camera model to camera model slightly. The same functions are controlled by RS-232 or Camera Link software.

FIGURE 12. TM-6760 Series Camera Rear Panel



AccuPiXEL CL Series Camera Rear View



AccuPiXEL Series Camera Rear View

3.11.6 Interpolation Software

Major framegrabber manufacturers with digital capability (Camera Link, RS-644) provide color interpolation software. Some independent image process software suppliers provide software as well. The following table lists a few examples.

TABLE 8. Framegrabber Interpolation Software List

Manufacturer	Framegrabber	Software
Matrox	Meteor II Digi, CL	MIL
Bitflow	Road Runner CL	Bay View
Coreco	T64	Application software
Data Cube	MaxRevolution	Visual Chip Studio
Epix	PIXCI	Application software
Euresys	GrabLink	Easygrab EasyColor
Matrix Vision	MV-Titan/CL	Impact

3.11.7 Color Interpolation

The Bayer pattern color filter array (CFA) consists of R, G, and B primary colors. Each pixel represents one of three colors. In order to display or print color images, the signal has to be converted to RGB output, which has three independent channels (outputs) and sync signals.

Color interpolation software or firmware performs the color by filling the missing color pixels with neighboring pixels. It then separates the single stream of data (8-bit or 10-bit) into three (RGB) data streams (8-bit x 3) and adds the color matrix to adjust and balance each of the R,G, and B channels (white balance or color balance).



The image quality depends on the camera’s own pixel data (including pixel data independency from neighboring pixels, noise and color filter), and interpolation of the software algorithm such as 3 x 3 interpolation, 2 x 2 interpolation, color matrix, white balance capability, etc.

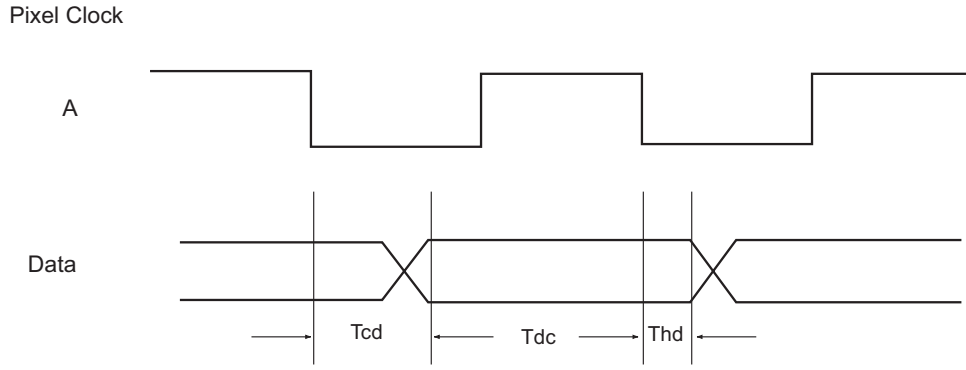
All AccuPiXEL color cameras are carefully designed for maximum color performance. JAI, Inc. strongly suggests that you use digital output for the best performance.

Some software is used on board (FPGA or DSP) to perform the interpolation. Other software simply uses the host computer’s memory and CPU. The process speed may vary depending on the architecture and speed of the computer.

### 3.12 Camera Timing Charts

Model: TM-6760  
 Master Clock: 50.0 MHz, M= 20.0 nsec  
 Pixel Clock: 25.0 MHz, P= 40.0 nsec  
 12.5 MHz, P= 80.0 nsec

#### 1. Pixel Clock and Digital Data

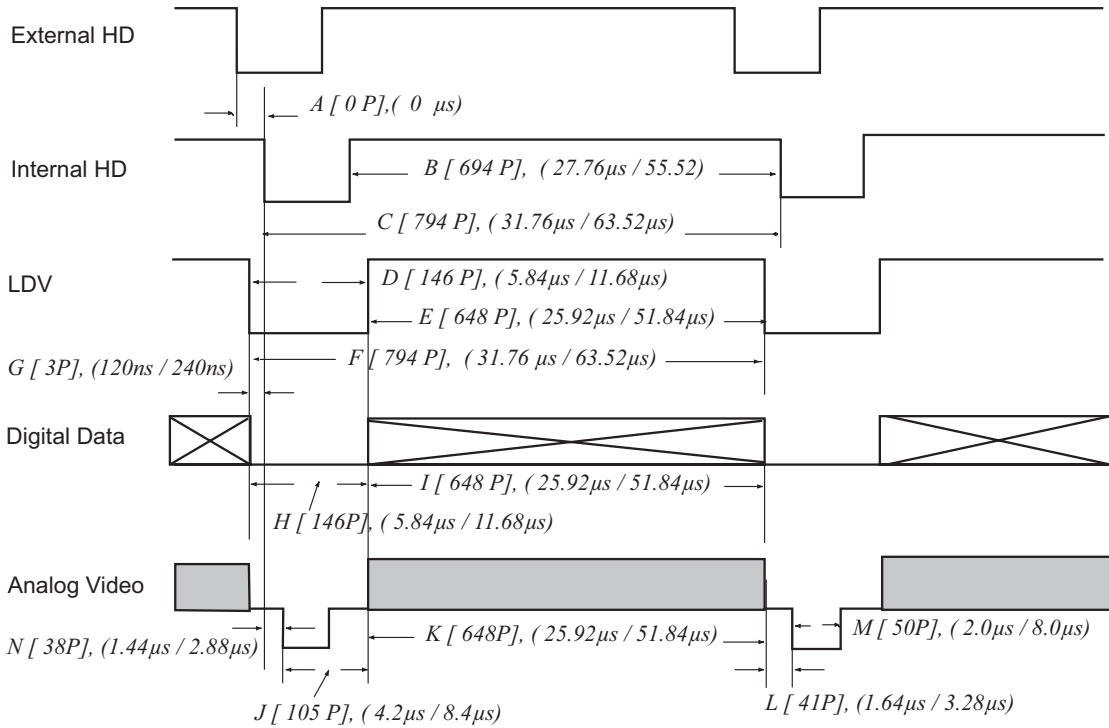


Tcd: Clock to Data Ready  
 Tdc: Data Ready to Next Clock  
 Thd: Data Hold Time

Tcd = 12.8 nsec, Tdc = 26.0 nsec, Thd = 10.4 nsec.

#### 2. Horizontal Signals

fHD = [ 31.48KHz / 15.74KHz]  
 tHD = [ 31.76μs / 63.52μs]



Operation Mode: Full Image

60FPS / 30FPS

Master Clock: 50.0 MHz, M= 20 nsec

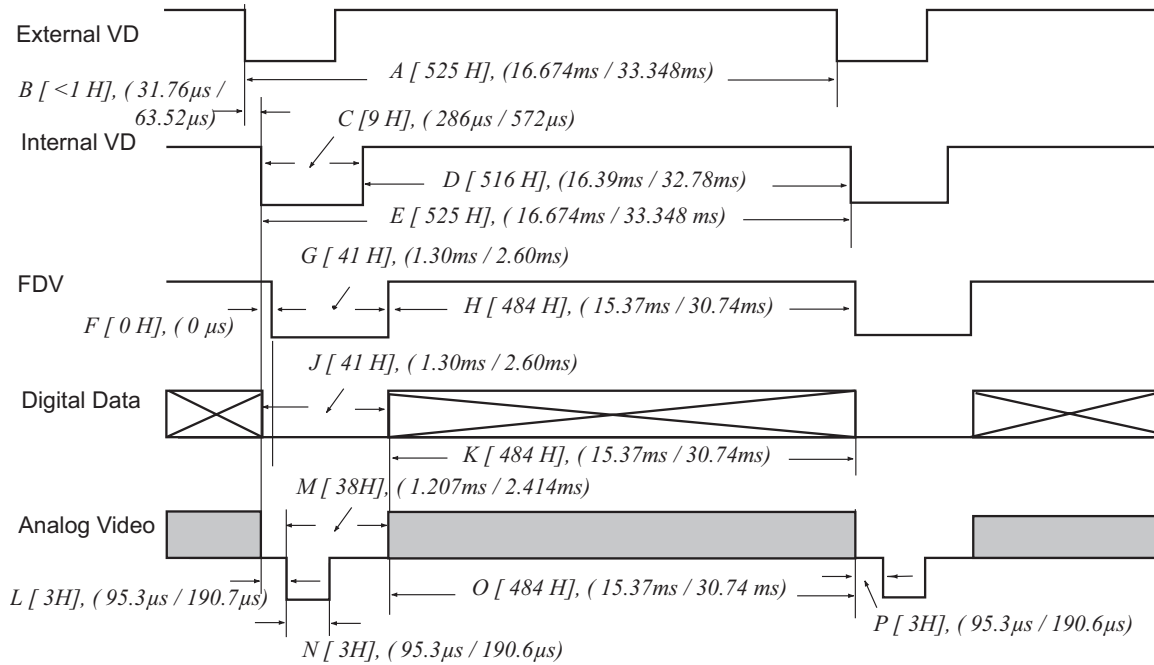
Pixel Clock: 25.0 MHz, P= 40 nsec

12.5 MHz, P= 80 nsec

Horizontal Frequency: 31.48KHz / 15.74KHz

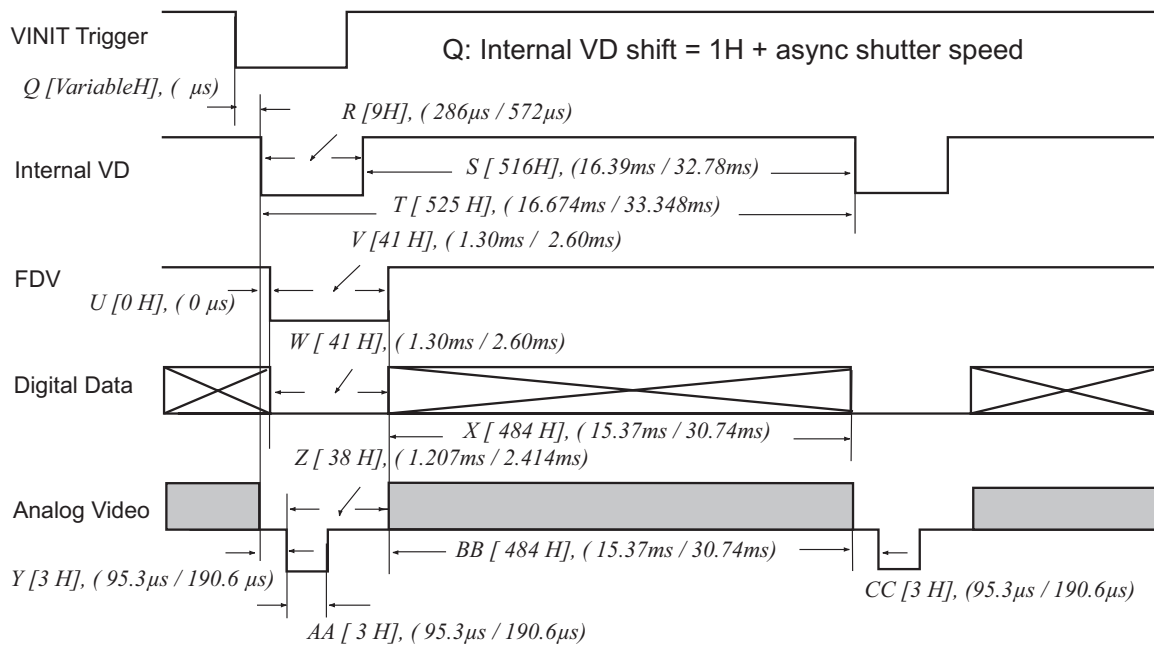
1H = 31.76  $\mu$ sec / 63.52  $\mu$ sec

3. External Reset Timing



4. Async Reset Timing

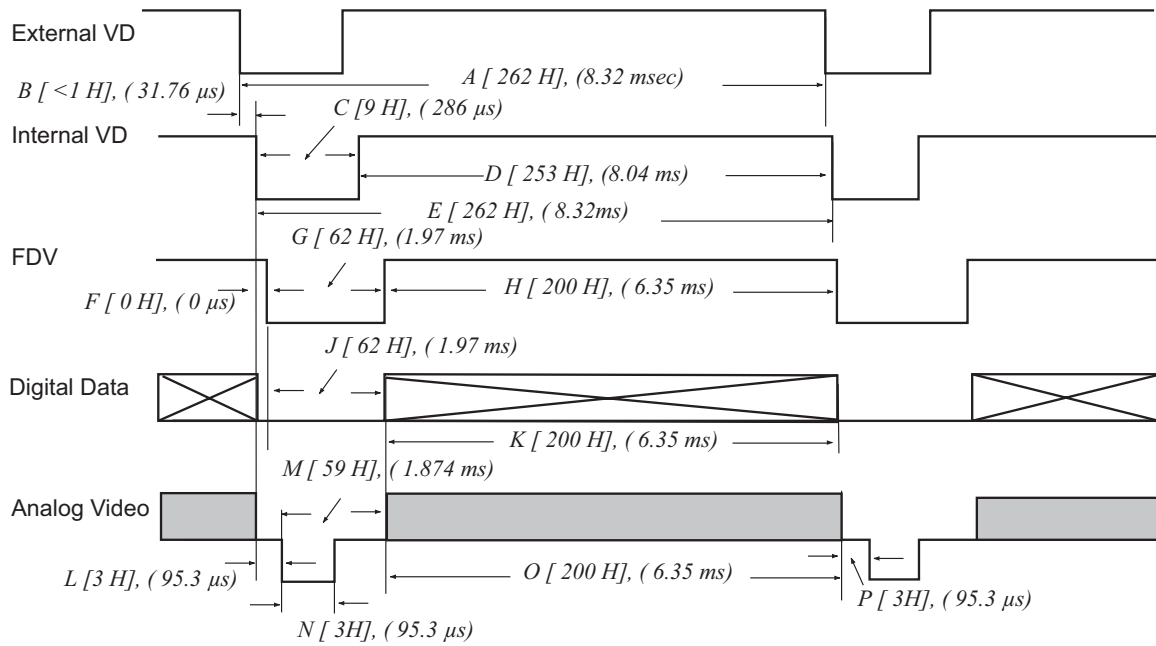
Delay of internal VD depends on the shutter speed.



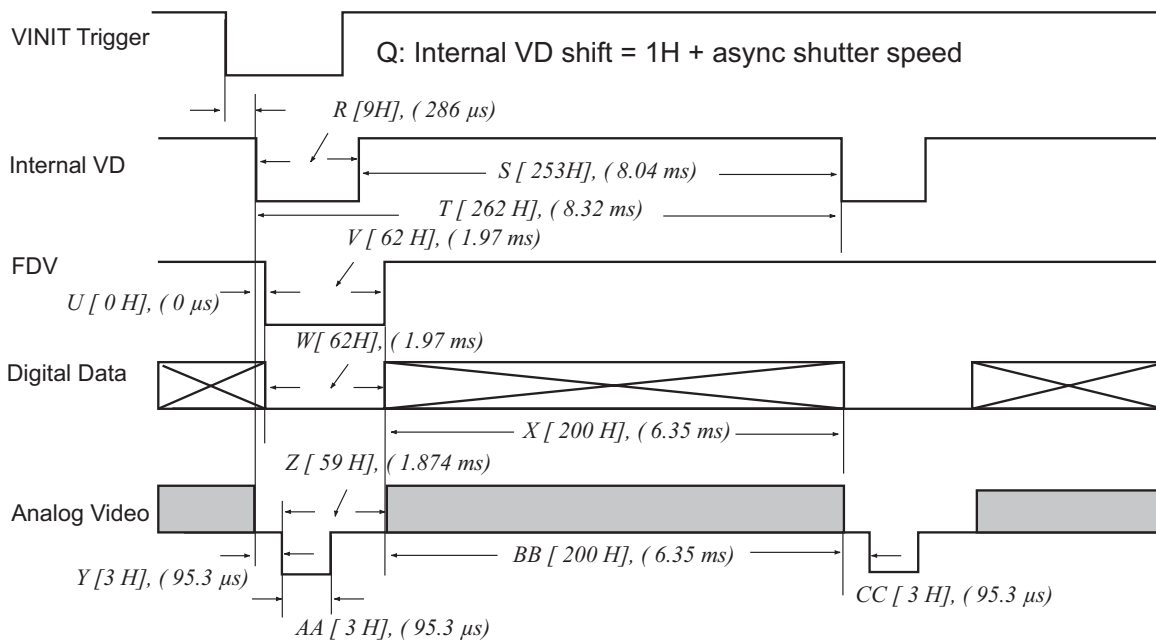
Model: TM-6760  
 Master Clock: 50.0 MHz, M= 20 nsec  
 Pixel Clock: 25.0 MHz, P= 40 nsec

Operation Mode: Partial Centered 200L  
 120 Frames/Second  
 Horizontal Frequency: 31.48 KHz  
 1H = 31.76  $\mu$ sec

5. Partial Scan Timing



6. Partial Scan Async Reset Timing

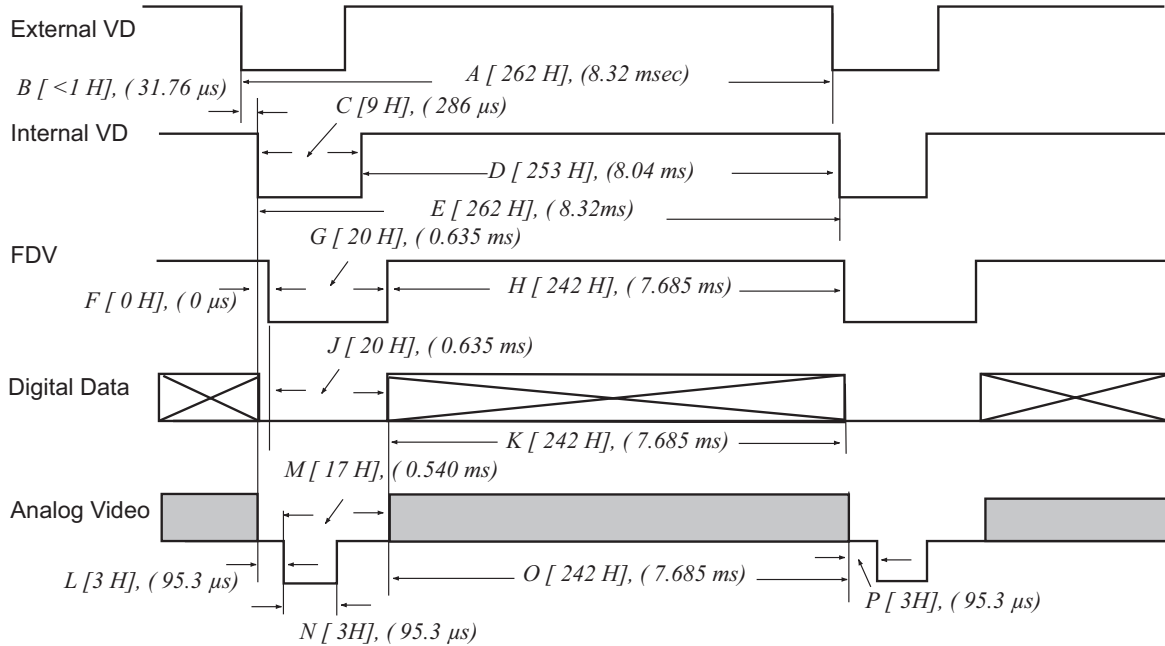




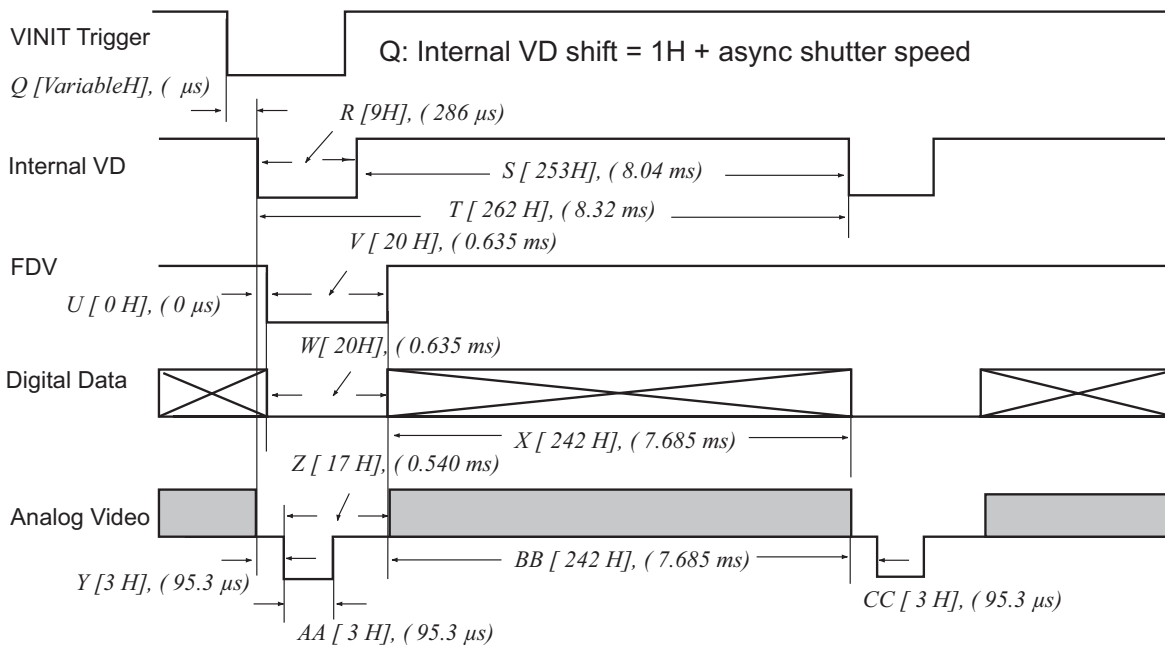
Model: TM-6760  
 Master Clock: 50.0 MHz, M= 20 nsec  
 Pixel Clock: 25.0 MHz, P= 40 nsec

Operation Mode: Two-Row Binning  
 120 Frames/Second  
 Horizontal Frequency: 31.48 KHz  
 1H = 31.76  $\mu$ sec

7. Partial Scan Timing



8. Partial Scan Async Reset Timing



### 3.13 Serial Communication Kit CS-232C (not required for “CL” version)

The TM-6760's functions can be controlled by a PC via RS-232C communication using the CS-232E serial communication kit. This kit consists of the RS-232B-12 cable, software disk, and quick-start card. The software disk contains setup files for the graphical user interface (GUI) program. Refer to the camera control software manual for information on the GUI.

Note: For CL models, the control software is included and serial communication is through the Camera Link cable. No additional accessories are required.

## 4 Troubleshooting

### 4.1 Problems and Solutions

Following are troubleshooting tips for common problems. In general, problems can easily be solved by following these instructions. If the following remedies fail to offer a solution to your problems, please contact a JAI, Inc. representative.

#### 4.1.1 Symptom: No Video

Remedies: Check that the following are properly connected and operational.

- Power supplies
- Power cables
- Main power source
- Shutter control
- Async mode
- Lens
- Digital output cable
- Analog video cable

#### 4.1.2 Symptom: Dark Video

Remedies: Check that the following are properly connected and operational.

- Shutter selection
- Iris opening on the lens

#### 4.1.3 Symptom: Non-synchronized Video

Remedies: Check that the following are properly connected and operational.

- Proper mode output
- Framegrabber software camera selection

## 4.2 Information and Support Resources

For further information and support:

Phone:	(408) 383-0300 (800) 445-5444
Fax:	(408) 383-0301
E-mail:	<a href="mailto:imaging@jai.com">imaging@jai.com</a>
Mail:	JAI, Inc. Sales Department 625 River Oaks Parkway San Jose, CA 95134 ATTN: Video Applications
Web Site:	<a href="http://www.jai.com">www.jai.com</a>



## 5 Appendix

### 5.1 Specifications

TABLE 9. TM-6760 Series Product Specifications Table

Model	TM-6760 Series
Imager	1/2" progressive scan interline transfer CCD
Active Area	5.83mm (H) x 4.36mm (V)
Active Pixels	648 (H) x 484 (V)
Cell size	9.0 $\mu$ m x 9.0 $\mu$ m
Scanning (Active Pixels)	648 x 484 pixels at 60 Hz/30 Hz
Sync	Internal/external auto switch HD/VD, 4.0 V <sub>p-p</sub> impedance 4.7K ohms 60Hz/30Hz $\pm$ 2%, non-interlace HD=31.486/15.743 kHz $\pm$ 2%
Data clock output	25.00/12.50 MHz
Resolution	Digital: 648 (H) x 484 (V)
S/N ratio	48dB min. (AGC off)
Min. illumination	1.0 lux f=1.4 (no shutter) @60fps Sensitivity: 10 $\mu$ V/ e-
Video output	Analog: 714mV, 75 ohms (900 mV white clip) Digital output: 8-bit RS-644 output Camera Link (TM-6760CL only)
AGC	OFF
Gamma	Programmable LUT (1.0 std.)
Lens mount	C-mount (use 1/2" format lenses or larger)
Power req.	12V DC $\pm$ 10%, 380mA normal (current measured at 25 $^{\circ}$ )
Operating temp.	-10 $^{\circ}$ C to 45 $^{\circ}$ C <sup>a</sup>
Random vibration	7G <sub>rms</sub> (10Hz to 2000Hz)
Shock	70G, 10-11msec
Size (W x H x L)	44mm x 44mm x 64mm (1.75" x 1.75" x 2.51")
Weight	Without tripod mount: 133 g, 4.7 oz. (TM-6760), 138 g, 4.9 oz. (TM-6760CL) With tripod mount: 144.5 g, 5.1 oz. (TM-6760) 149.5 g, 5.3 oz. (TM-6760CL)

TABLE 9. TM-6760 Series Product Specifications Table (Continued)

Optional Functions (must be ordered separately)	OP 89-3 Differential Input, VINIT OP 89-4 Differential Input, VD OP 93 RS-422 OP 93-1 10-bit output
Optional Accessories (must be ordered separately) I/O  Power supply Power cable	TM-6760: 30DG-02 digital output cable, CS-232E serial communication kit, TM-6760CL: 26CL-02-26 digital output cable PD-12UUP series (includes power connector) 12P-02S

a. Refer to Section 2.2.2 on page 6 for information on camera heat dissipation.

5.1.1 Physical Dimensions

FIGURE 13. Physical Dimensions (TM-6760, TMC-6760)

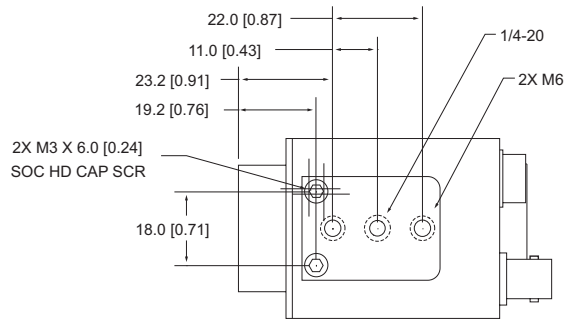
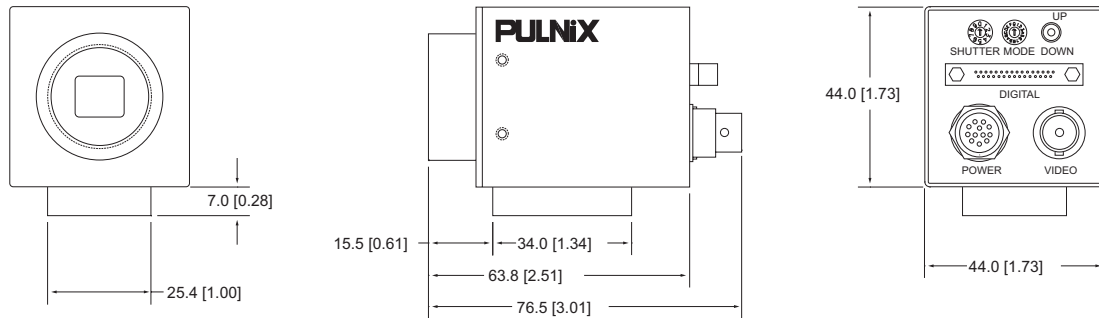
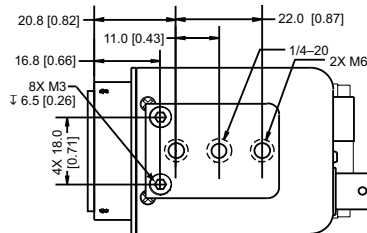
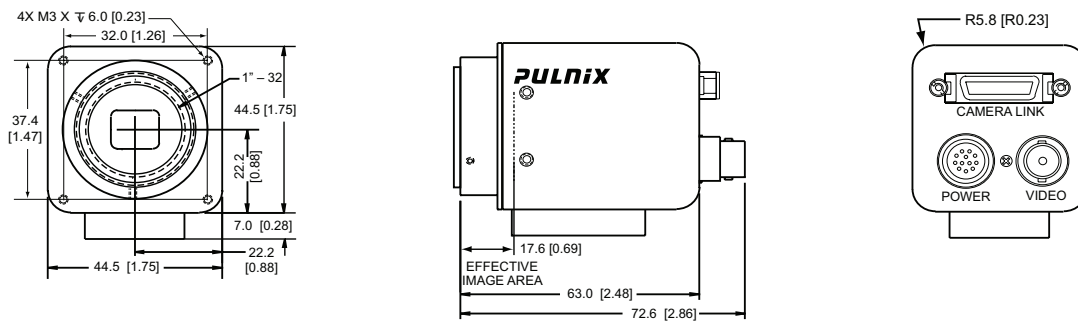
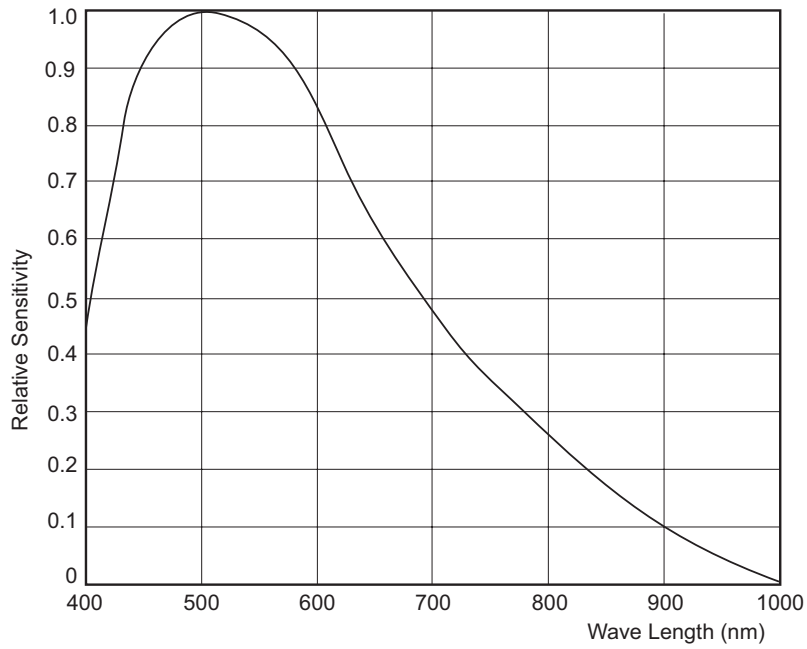


FIGURE 14. Physical Dimensions (TM-6760CL, TMC-6760CL)

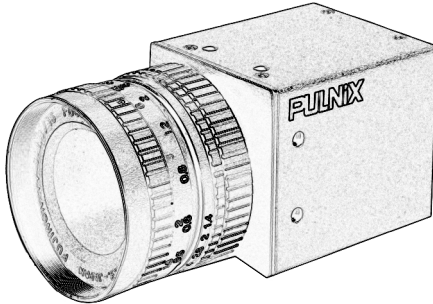


### 5.1.2 Spectral Response

FIGURE 15. Spectral Response







*See the possibilities*

JAI, Inc.                      Tel: 408-383-0300  
625 River Oaks Pkwy.      Tel: 800-445-5444  
San Jose, CA 95134        Fax: 408-383-0301

**Email: [imaging@jai.com](mailto:imaging@jai.com)**

**www.jai.com**